

BladderScan i10 verathon

Workstation Assembly





A

B

C

D

E

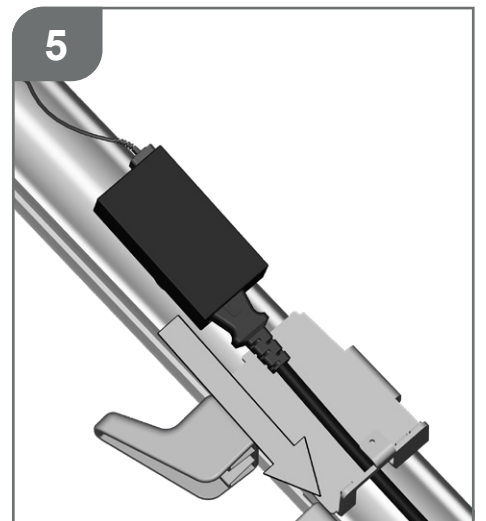
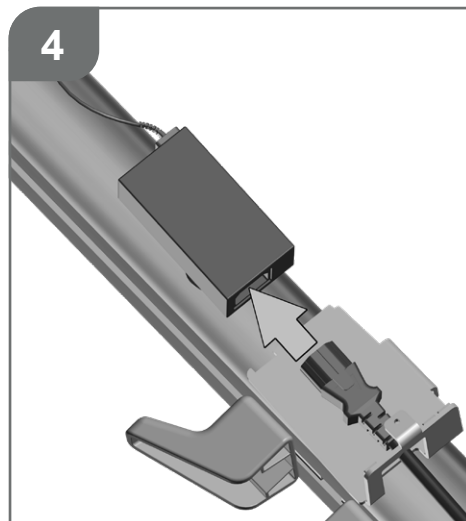
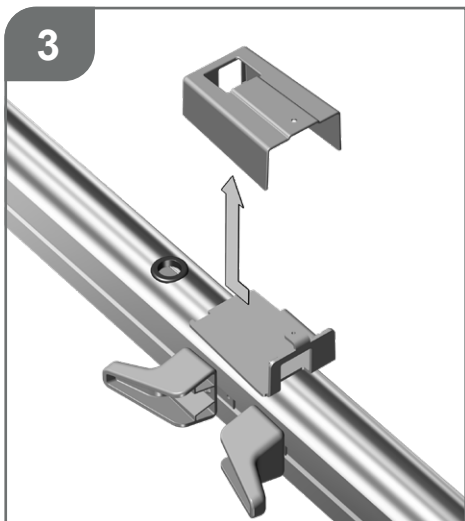
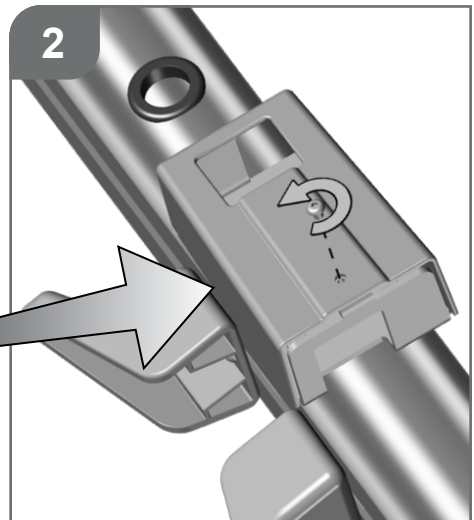
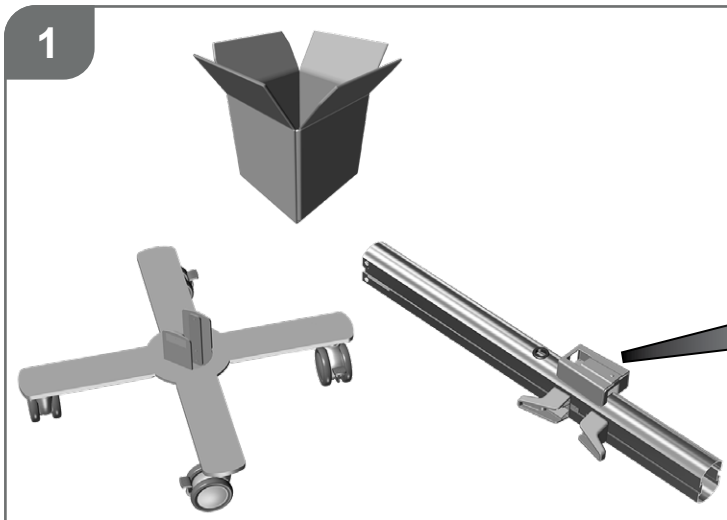
F

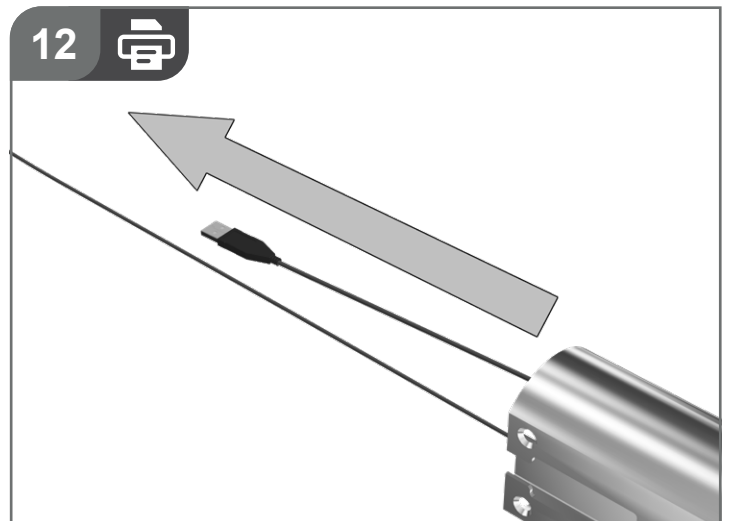
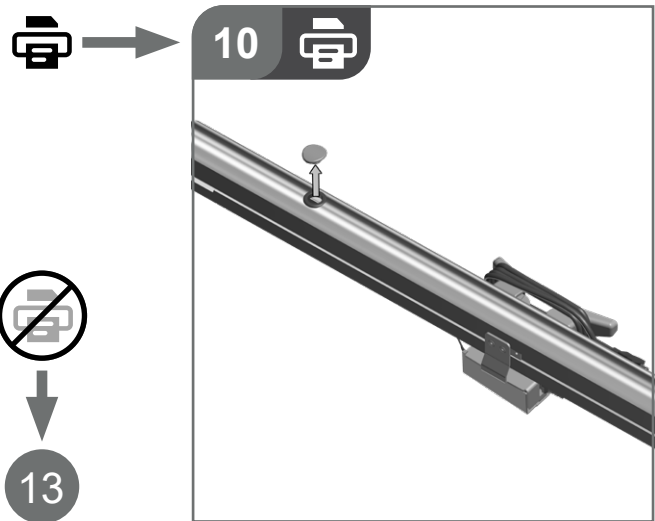
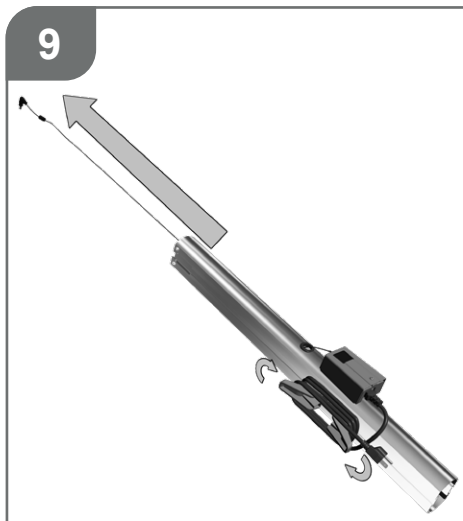
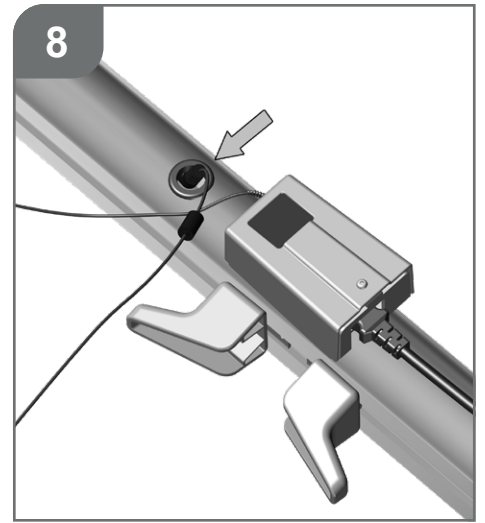
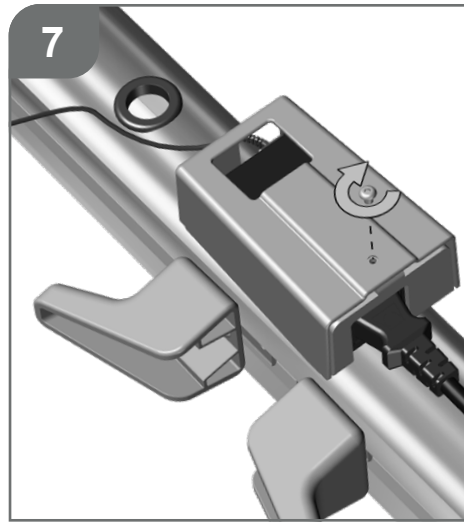
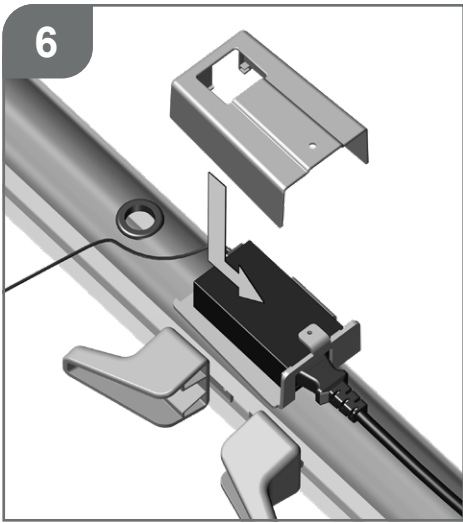
G

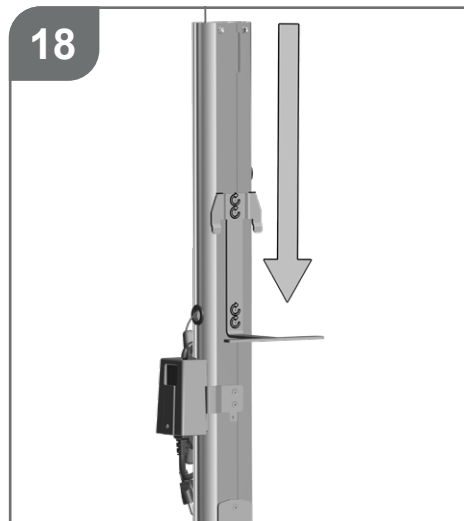
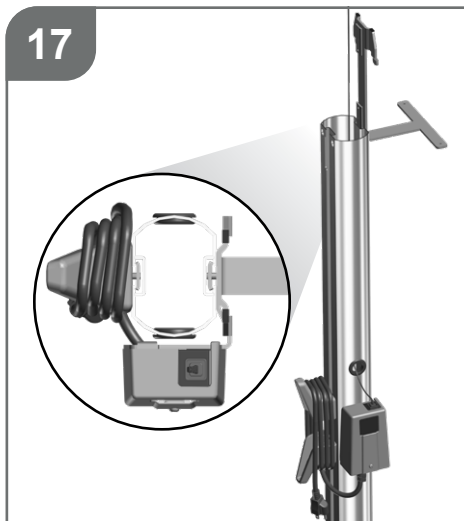
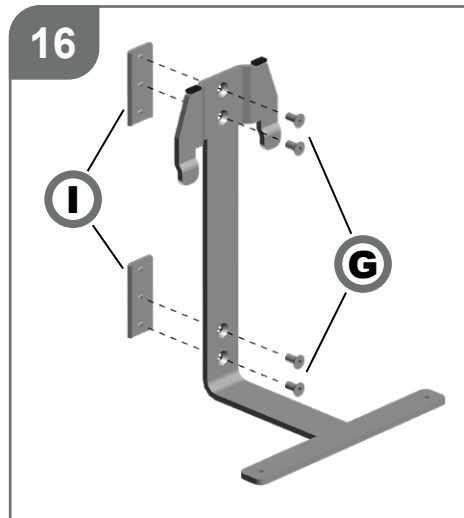
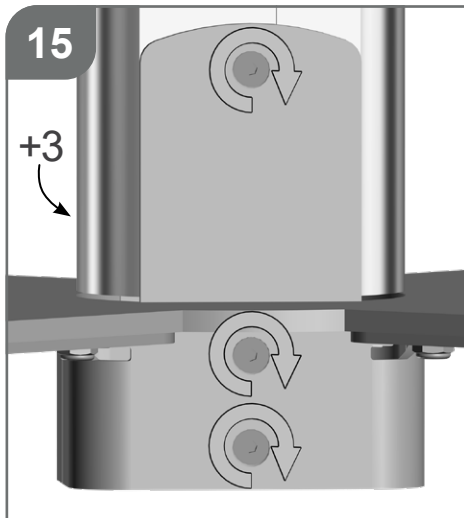
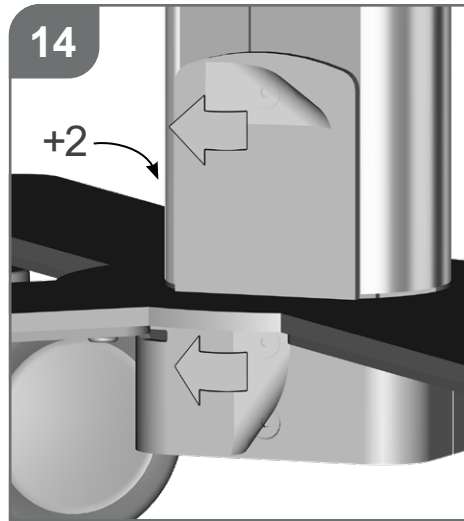
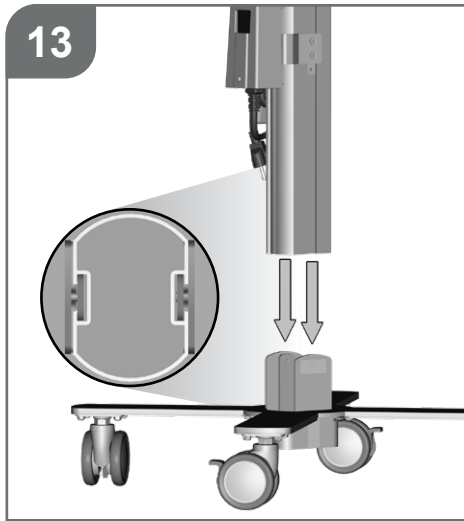
H

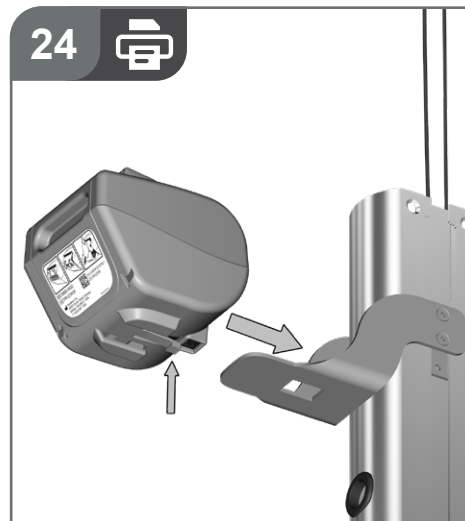
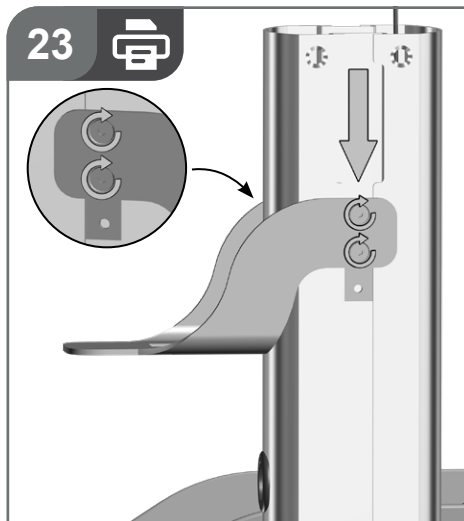
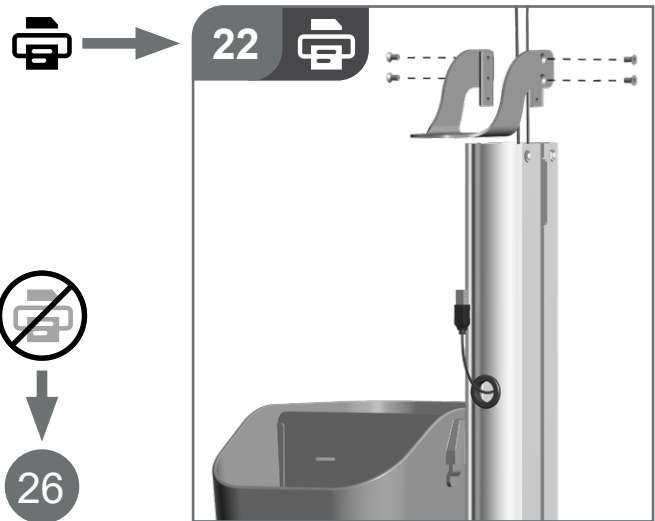
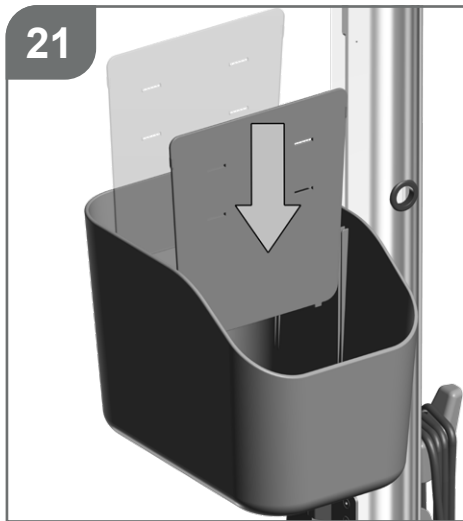
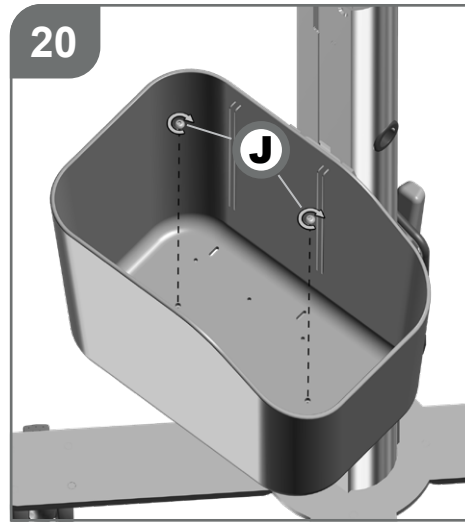
I

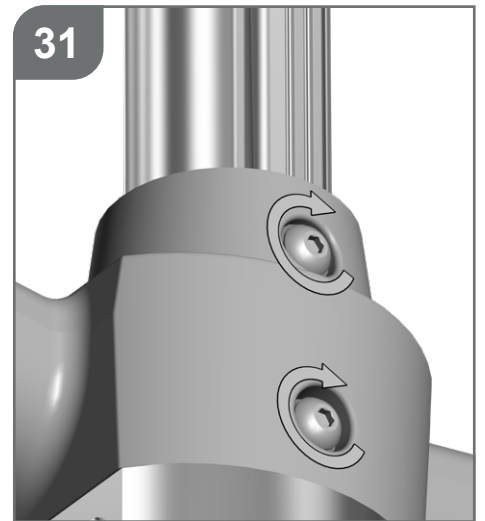
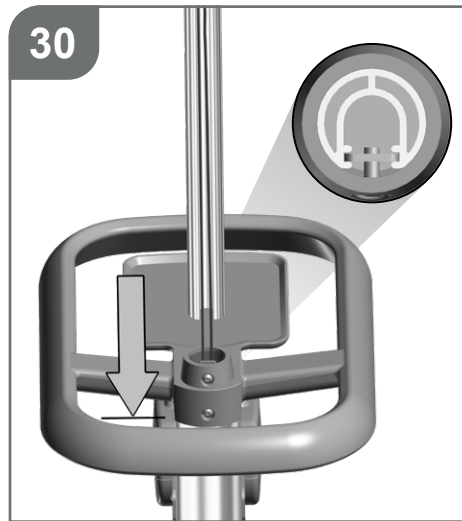
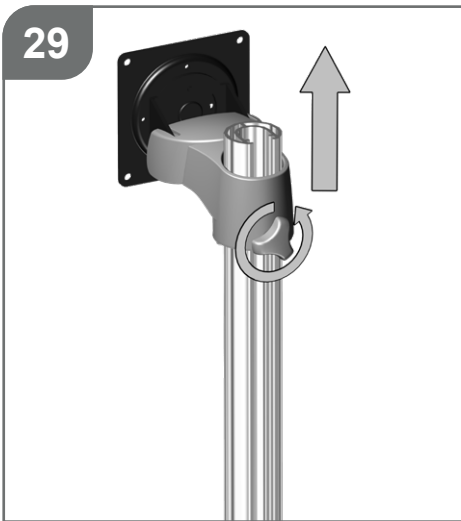
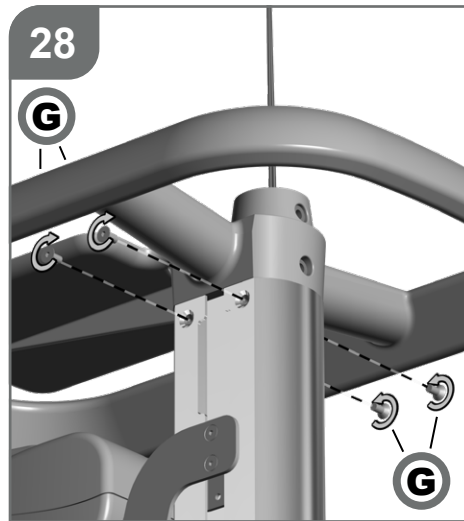
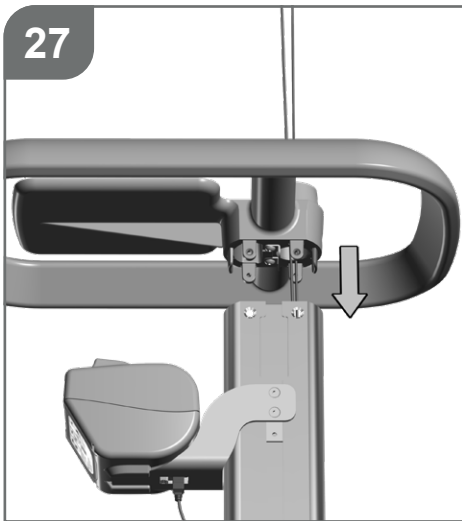
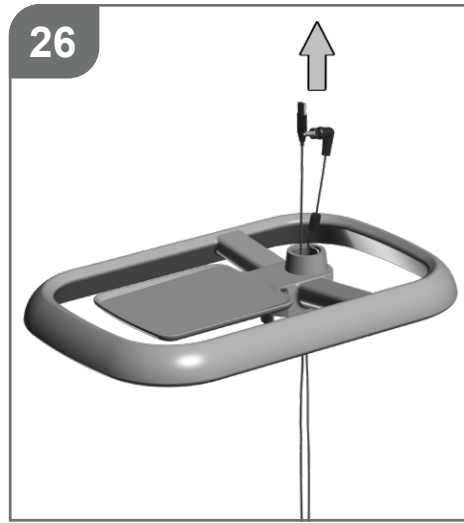
J

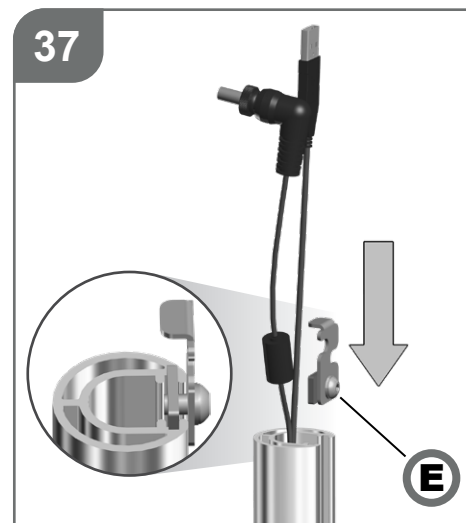
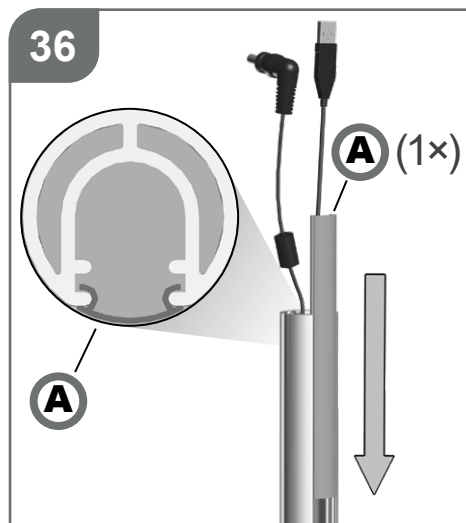
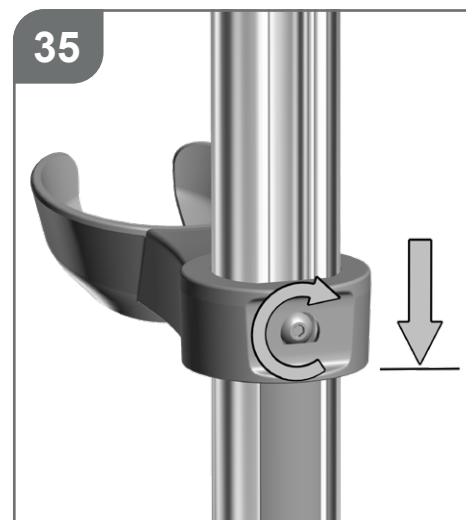
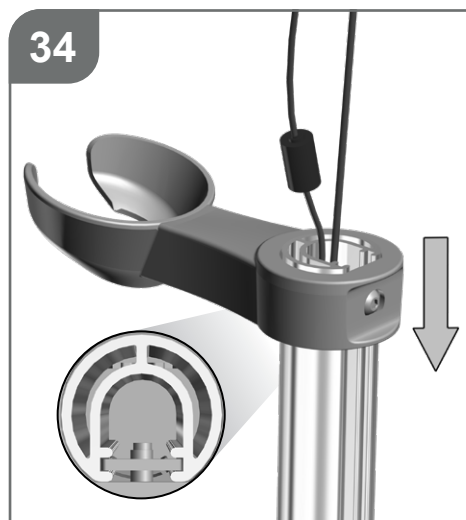
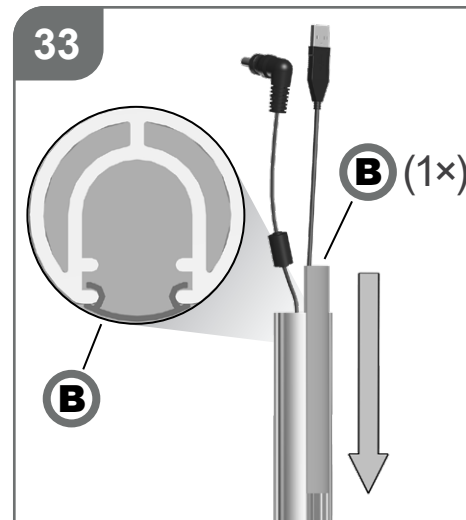
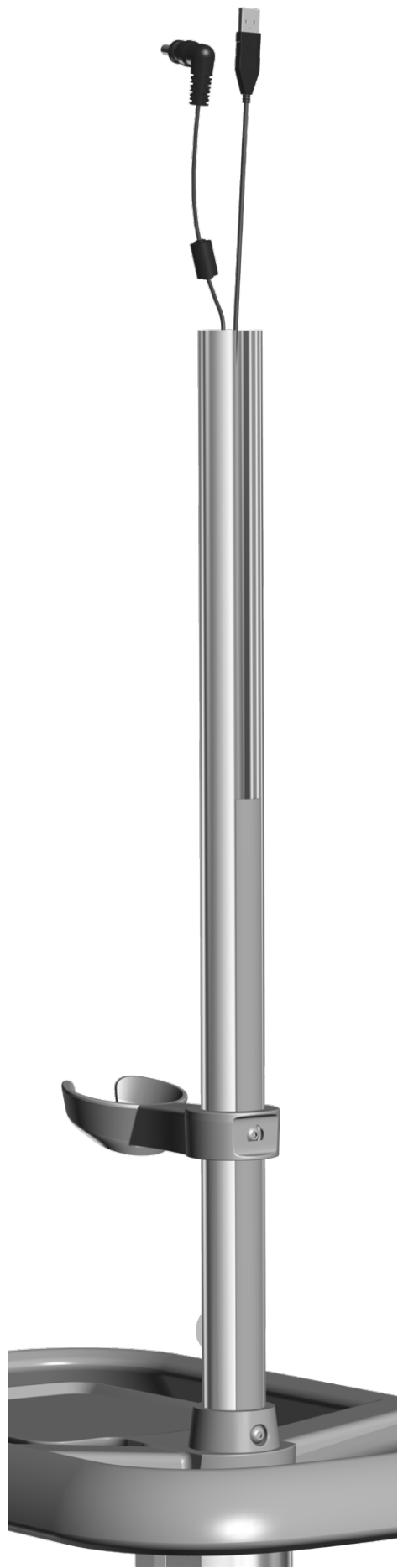


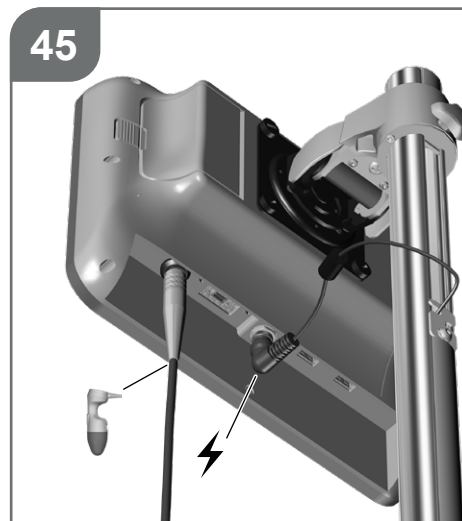
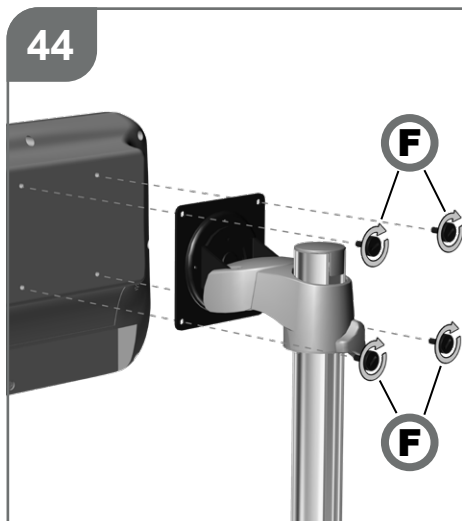
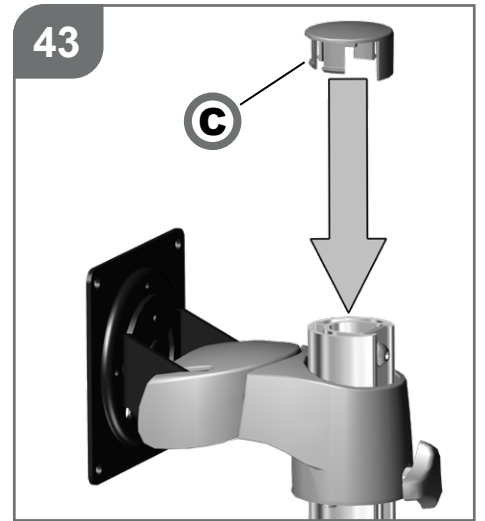
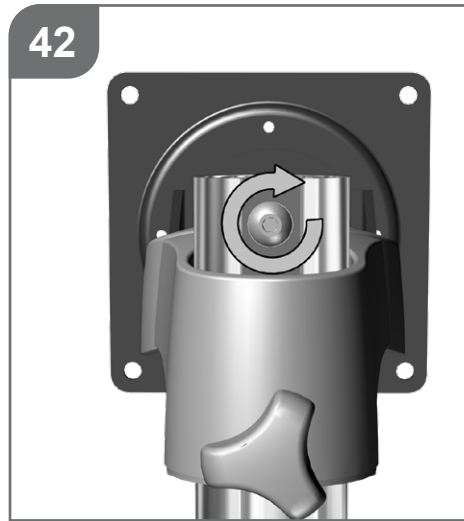
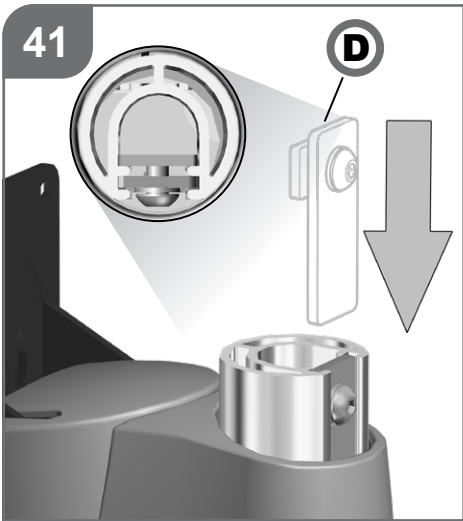
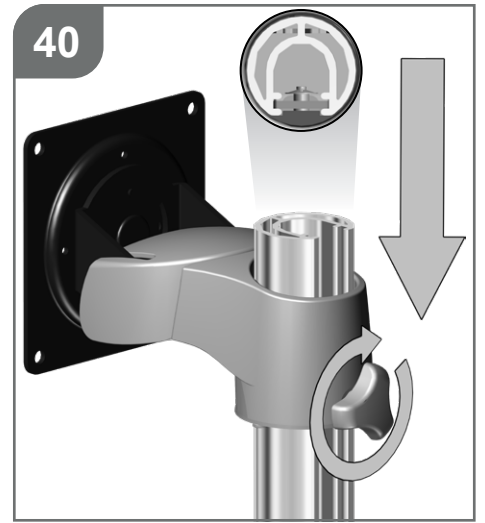
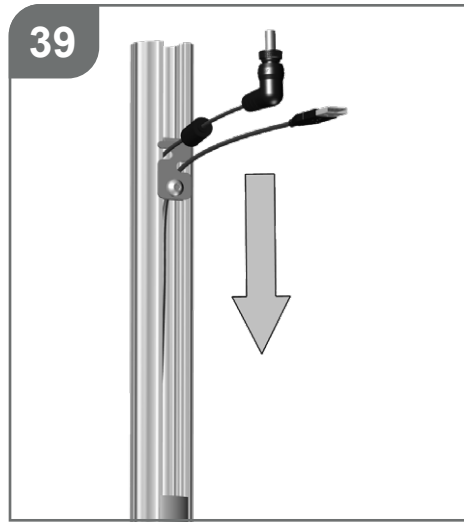


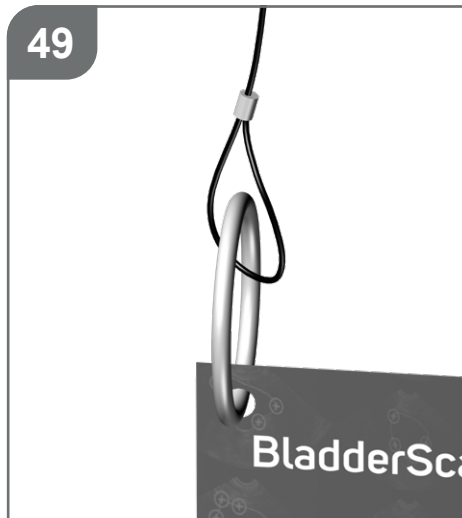
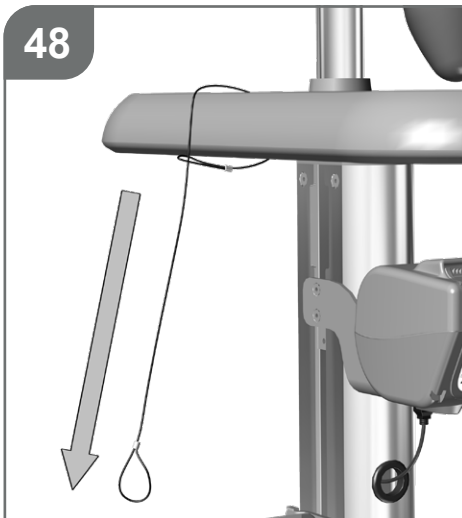
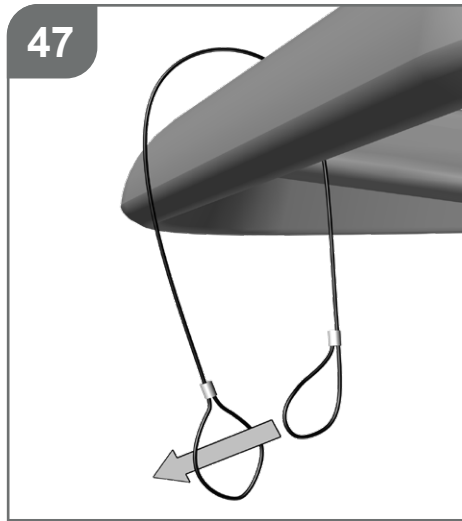
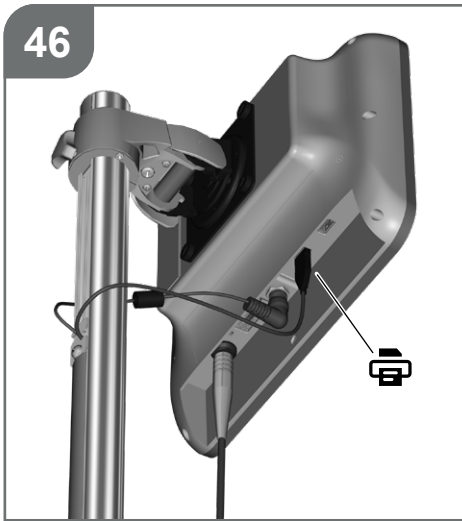












verathon

Verathon Inc.
20001 North Creek Parkway
Bothell, WA 98011, USA
Tel: +1 800 331 2313 (USA & Canada only)
Tel: +1 425 867 1348 Fax: +1 425 883 2896

Verathon Medical (Australia) Pty Limited
Unit 9, 39 Herbert Street
St Leonards NSW 2065
Australia
Tel: 1800 613 603 / Fax: 1800 657 970 (Within Australia)
Tel: +61 2 9431 2000 / Fax: +61 2 9475 1201 (International)



Verathon Medical (Europe) B.V.
Willem Fenengastraat 13
1096 BL Amsterdam, The Netherlands
Tel: +31 (0) 20 210 30 91
Fax: +31 (0) 20 210 30 92



MDSS CH GmbH
Laurenzenvorstadt 61
5000 Aarau
Switzerland



Anandic Medical Systems AG
Stadtweg 24
8245 Feuerthalen
Switzerland